

# GELcore

Incandescent look

## GT1™ LED Signals

8 and 12 inch Full Balls

Only GELcore brings you the outstanding reliability and quality of the GE brand

### Excellent Appearance & Visibility

- Centralized light source and exclusive optical lensing efficiently distributes light
- Expanded view for fixed and span wire applications meets new ITE requirement
- Excellent color uniformity creates an incandescent look for easy readability
- Improved luminous intensity uniformity exceeds new ITE requirement

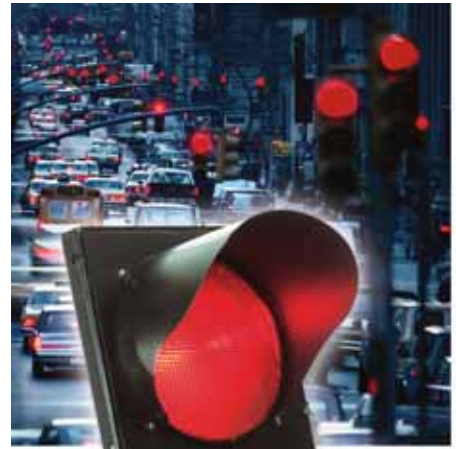
### Outstanding Reliability & Robust Operation

- High efficiency and high-brightness LED light source
- Improved failed state impedance protection detects the loss of LED load
- Optimized thermal management for longer life
- O-ring gasket and over-molded electrical connector provides increased moisture and dust protection

### Meets Rigorous Certification & Testing Standards

- Energy Star products available
- CSA Approved
- Using MIL Std 810 for environmental robustness, passed reliability and qualification testing including high temperature, high humidity cycling
- Designed to the new ITE VTCSH standards dated June 27th 2005\*

\*Luminous intensity measured at  $T_a = 25^\circ\text{C}$  for yellow



ITE performance\*  
New or retrofit use  
Tinted or clear lens



imagination at work



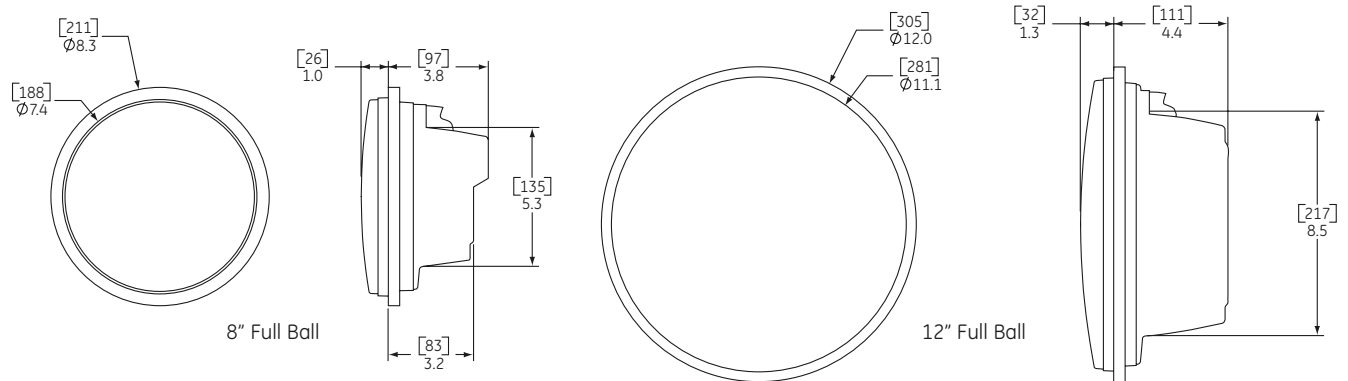
The Greatest Signals Stand the Test of Time.™

# GT1™ LED Signals



• 8 AND 12 INCH • FULL BALL • LED TRAFFIC SIGNAL

## Mechanical Outline Dimensions in inches. (mm) indicates metric equivalent



## Design Compliance

Test Type	Compliance
Luminous Intensity	A: ITE VTCSH-LED Circular Signal Supplement 1 B: Caltrans
Chromaticity	ITE VTCSH-LED Circular Signal Supplement 1
Moisture Resistance	NEMA STD 250 Type 4 - 1991 Blown Wind Rain MIL-STD-810F method 506.4
Mechanical Vibration	MIL-STD-883 Method 2007
Electronic Noise	FCC Title 47 Sub. B Sec 15 <sup>2</sup>
Transient Voltage Protection	Sec 2.1.8 NEMA TS-2-2003
Controller Compatibility	ITE VTCSH-LED Circular Signal Supplement
Wiring	NFPA 70, National Electric Code

## General Specifications

Parameter	Rating
Operating Temperature Range*	-40 to +74°C (-40 to +165°F)
Operating Voltage Range	80 to 135 V (60Hz AC)
Power Factor (PF)	> 90 %
Total Harmonic Distortion (THD)	< 20 %
Voltage Turn-Off (VTO)	35 V
Turn-On / Turn-Off Time	< 75msec
Lens & Shell Material	UV Stabilized Polycarbonate
Wiring	16 AWG, Color Coded with Strain Relief 48in long

\* Performed in compliance with ITE test method described in the technical notes  
<sup>1</sup> Measured at T<sub>a</sub> = 25°C for Yellow  
<sup>2</sup> Class A

## Product Characteristics

Model Number	Size (in)	AC Voltage	Power (W)	Wavelength (nm)	Maintained Luminous Intensity	
					Intensity (Cd)	Intensity Spec
		Nominal	Nominal	Dominant	Minimum	
DR4-RTFB-17A	8	120V - 60Hz	5	626	165	A & B
DR4-YTFB-17A	8	120V - 60Hz	9	589	410	A & B
DR4-YTFB-15A	8	120V - 60Hz	6	589	314	B
DR4-GTFB-17A	8	120V - 60Hz	6	500	215	A & B
DR4-GCFB-17A	8	120V - 60Hz	6	500	215	A & B
DR6-RTFB-17A	12	120V - 60Hz	11	626	365	A & B
DR6-YTFB-17A	12	120V - 60Hz	20	589	910	A & B
DR6-YTFB-15A	12	120V - 60Hz	14	589	798	B
DR6-GTFB-17A	12	120V - 60Hz	12	500	475	A & B
DR6-GCFB-17A	12	120V - 60Hz	12	500	475	A & B

Distributed by:

Standard product equipped with universal connectors (spade-quick disconnect).



6180 Halle Drive • Valley View, Ohio 44125-4635

Americas P:216.606.6612 • F:216.606.6599 • W:www.gelcore.com • E:signals@gelcore.com

Publication No.SSUSGT1E R: 10/25/05 • GELCORE LLC is a joint venture between GE Lighting and EMCORE Corporation  
 Information provided is subject to change without notice. All values are design or typical values when measured under laboratory conditions.  
 GELCORE LLC markets and distributes the GE brand of LED products and uses the GE trademarks under license from the General Electric Company.