



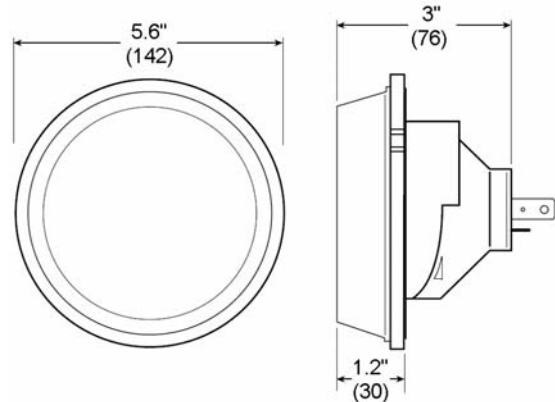
LED LAMP MODULES FOR PROGRAMMABLE VIEW SIGNALS

1 Features & Benefits

- High efficiency & long life LED light source
- Failure of single LED results in loss of light from only that LED
- Moisture and dust resistant
- Direct retrofit design
- Regulated power supply
- Conforms to Caltrans light intensity requirements

2 Mechanical Outline

Dimensions in inches. (mm) indicates metric equivalent



3 Design Qualification Testing

Test Type	Compliance
Chromaticity	ITE VTC SH-STD Part 2
Moisture Resistance	NEMA STD 250 Type 4 - 1991
Mechanical Vibration	MIL-STD-883 Method 2007
Electronic Noise	FCC Title 47 Sec 15 Sub. B ¹
Transient Voltage Protection	ITE VTC SH-STD Part 2
Controller Compatibility	NEMA TS-2-1992

¹Class A

4 General Specifications

Parameter	Rating
Operating Temperature Range	-40 to +74° C (-40 to +165° F)
Operating Voltage Range	80 to 135 V (60Hz AC)
Power Factor (PF)	> 90 %
Total Harmonic Distortion (THD)	< 20 %
Lens & Shell Material	UV Stabilized Polycarbonate

Note: To ensure full interoperability, the dimming option and its resistor must be disconnected before turning on the LED lamp.

5 Product Characteristics

Model Number	AC Voltage	Power (W)	Wavelength (nm)	Maintained Intensity (Cd/m ²)
	Nominal	Nominal	Dominant	Minimum ²
DR3-RCFB-01A	120V - 60Hz	10	626	314
DR3-YCFB-01A	120V - 60Hz	14	589	314
DR3-GCFB-01A	120V - 60Hz	10	508	314

¹Standard product equipped with spade connectors.
²Test Condition: Ta = 25° C

Distributed by:

Information provided is subject to change without notice.

Web Site : www.gelcore.com • Email : signals@gelcore.com

Americas P : 216.606.6555 • F : 216.606.6599 • Europe P : ++352.091112567
Publication No: SSUS008E • R:12/23/03 • GELcore is a joint venture between GE Lighting and EMCORE Corporation

